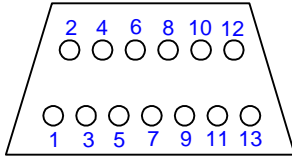


Connecting SIO2SD to Atari XL/XE

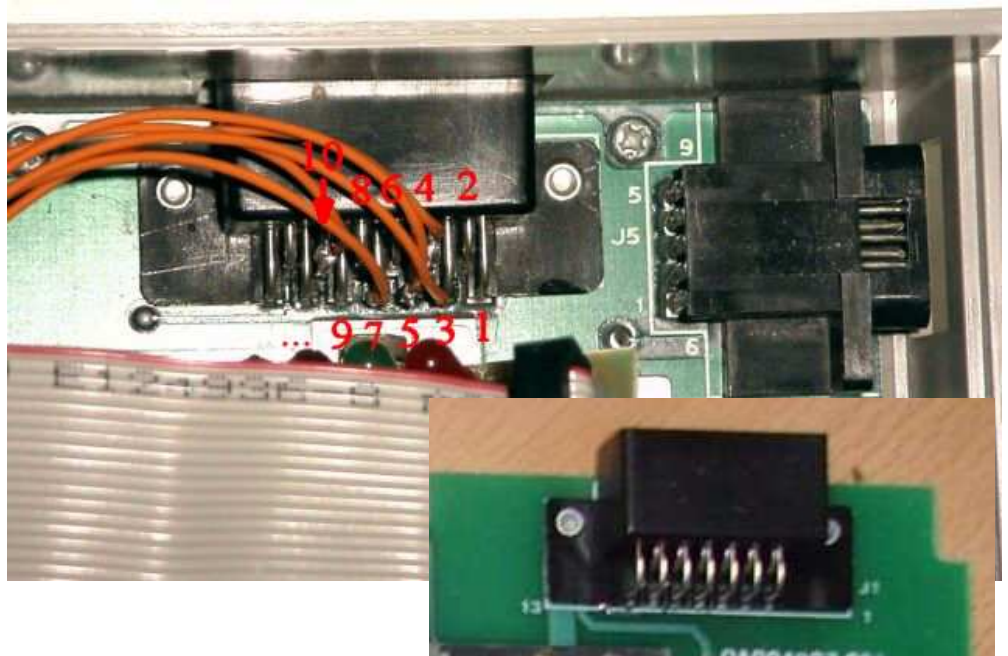
Atari SIO pinouts

This is look from back of Atari case



Signals description:

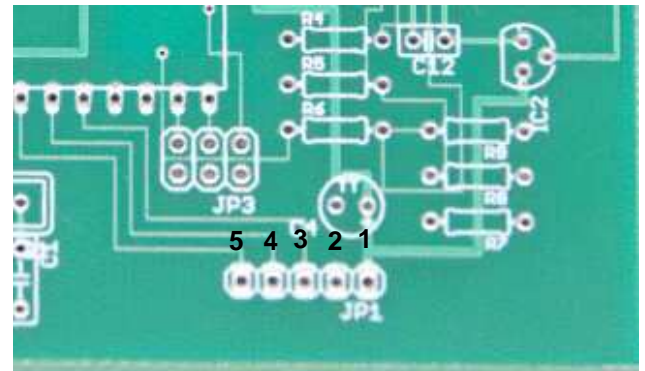
- 1 clock in (to computer)
- 2 clock out
- 3 data in
- 4 GND
- 5 data out
- 6 GND
- 7 command (active low)
- 8 cassette motor control
- 9 proceed (active low)
- 10 +5V/ready
- 11 audio in
- 12 +12V (400/800)
- 13 interrupt (active low)



Pic 1. Inside Atari

Sio2SD JP1 to Atari SIO connection

Connector in SIO2SD	Atari SIO connector	Signal description
1	10	+5V
2	4	GND
3	7	COMMAND
4	3	DATA IN
5	5	DATA OUT



Pic 2. Connector JP1 on SIO2SD motherboard

Sio2SD JP1 to Atari standard SIO cable

Connector in SIO2SD	Standard SIO cable	Signal description
1	Blue Wire	+5V
2	Black Wire	GND
3	Purple Wire	COMMAND
4	Orange Wire	DATA IN
5	Green Wire	DATA OUT

Please worry, some colors can be different in your cable !!!

You can connect your SIO2SD directly to Atari XL/XE motherboard (pic 1) or use spare Atari disk drive sio cable or cable from unused Atari Program Recorder (look to pinout view).

Atari Fan Store
<http://afs.atari.org>